



**EVERVIEW**  
CABINETRY



**Product Catalog**



EverView Cabinetry are durable, attractive, and offer vast amounts of kitchen design possibilities. They are shipped and delivered quickly from centrally located warehouses. These quality cabinets allow you to offer value-pricing to your customers.

## EverView Cabinetry Features

### TABLE OF CONTENTS

Kitchen Cabinet Styles.....	1 - 4
Wall Cabinets .....	5 - 7
Base Cabinets .....	8 - 11
Utility Cabinets .....	11-12
Accessories .....	13 - 16
Vanity Cabinets.....	16-17
Accessories & Panels .....	18
Fillers & Mouldings.....	18-20
Miscellaneous.....	20



- 1 Face Frame**  
Solid Wood
- 2 Door Hinges**  
DTC 6 Way Adjustable, Soft Close
- 3 Box Construction**  
Top, Floor, Sides & Back 1/2" Plywood
- 4 Shelves**  
Adjustable 3/4" Plywood
- 5 Drawer Slides**  
Undermount, Full Extension, Metal, Soft Close
- 6 Drawer Box**  
3/4" Solid Maple, Dovetailed
- 7 Butt Style Doors**  
Allows for easier access



## 7 Styles to Pick From

EverView Cabinetry offers a variety of kitchen cabinet styles to choose from, providing beauty and convenience. From the timeless Summit White Shaker style to classic West Point Grey cabinets, the collection has something for everyone.

**These Prefix Codes Show Item Availability For Each Style In The Following Pages**



**Summit White Shaker**  
**WS**



**Hickory Shaker**  
**HS**



**Summit Platinum Shaker**  
**PS**



**West Point Grey**  
**WP**



**Winchester Grey**  
**WG**



**Aspen White**  
**ASP**

\*Java Shaker featured in separate catalog

## Modern & Classic Styles

### Summit White Shaker • WS



With simple flat panel doors, sturdy construction and clean lines, Summit White Shaker Style Kitchen Cabinets go well with classic, contemporary or modern designs. These shaker doors are composed of HDF to ensure the highest quality finish.

- **Wood Species:** Painted
- **Faceframe:** Solid Wood
- **Door Type:** Shaker Style [HDF Construction]
- **Cabinet Box:** 1/2" Plywood
- **Drawer Glide:** Undermount Soft Close
- **Drawer Head:** 5-piece Matching Profile
- **Drawer Box:** 3/4" Solid Wood Dovetail
- **Shelves:** 3/4" Adjustable Plywood Shelves
- **Door Hinges:** Soft Close 6-Way Adjustable Concealed
- **Interior/Exterior:** Matching White Shaker
- Full Overlay Design

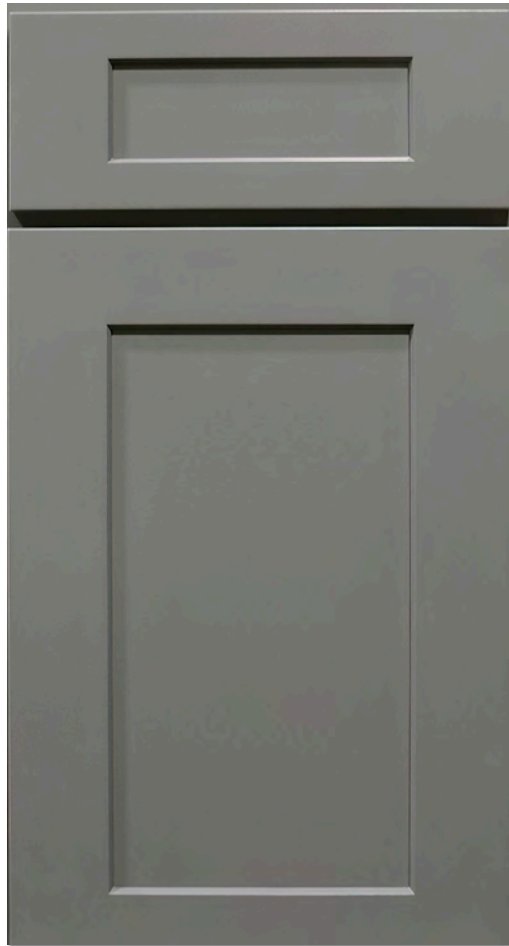
### Hickory Shaker • HS



Hickory Shaker kitchens feature strong grain patterns, color changes, knots and swirled grains formed to the simplicity of the Shaker style. This rustic look is ideal for portraying an old world vibe.

- **Wood Species:** American Hickory
- **Face Frame:** Solid Wood
- **Door Type:** Solid Hickory Shaker Style
- **Cabinet Box:** 1/2" Plywood
- **Drawer Glide:** Undermount Soft Close
- **Drawer Head:** Solid Slab
- **Drawer Box:** 3/4" Solid Wood Dovetail
- **Shelves:** 3/4" Adjustable Plywood Shelves
- **Door Hinges:** Soft Close 6-Way Adjustable Concealed
- **Cabinet Interior/Exterior:** Natural Birch
- Full Overlay Design

**Summit Platinum Shaker • PS**



Summit Platinum Shaker Cabinets boast a simple shaker design with a classic steel-grey paint.

- **Wood Species:** Painted
- **Face Frame:** Solid Wood
- **Door Type:** Shaker Style [HDFConstruction]
- **Box Construction:** ½" Plywood
- **Drawer Glide:** Undermount Soft Close
- **Drawer Head:** 5-piece Matching Profile
- **Drawer Box:** ¾" Solid Wood Dovetail
- **Shelves:** ¾" Adjustable Plywood Shelves
- **Door Hinges:** Soft Close 6-Way Adjustable Concealed
- **Interior/Exterior:** Matching Platinum Shaker
- Full Overlay Design

**West Point Grey • WP**



A flat panel door with a decorative edge profile West Point Grey Cabinets are a clean, trendy option that warms any space.

- **Wood Species:** Solid Maple / Birch
- **Face Frame:** Solid Wood
- **Door Type:** Flat Panel w/ Decorative Edge
- **Box Construction:** ½" Plywood
- **Drawer Glide:** Undermount Soft Close
- **Drawer Head:** 5-piece Matching Profile
- **Drawer Box:** ¾" Solid Wood Dovetail
- **Shelves:** ¾" Adjustable Plywood Shelves
- **Door Hinges:** Soft Close 6-Way Adjustable Concealed
- **Interior/Exterior:** Matching West Point Grey
- Full Overlay Design

**Aspen White • ASP**



With a clean raised center panel design, our Aspen White collection is ideal for creating an exquisite modern look.

- **Wood Species:** Painted
- **Face Frame:** Solid Wood
- **Door Type:** Raised Panel [HDF Construction]
- **Box Construction:** ½" Plywood
- **Drawer Glide:** Undermount Soft Close
- **Drawer Head:** 5-piece Matching Profile
- **Drawer Box:** ¾" Solid Wood Dovetail
- **Shelves:** ¾" Adjustable Plywood Shelves
- **Door Hinges:** Soft Close 6-Way Adjustable Concealed
- **Interior/Exterior:** Matching Aspen White
- Full Overlay Design

**Winchester Grey • WG**



Winchester Grey Cabinets are a clean, trendy option that warms any space. With a flat panel door design and decorative edge, Winchester Grey's soft undertones reflect natural wood grains to give a contemporary feel.

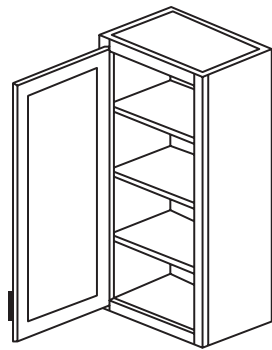
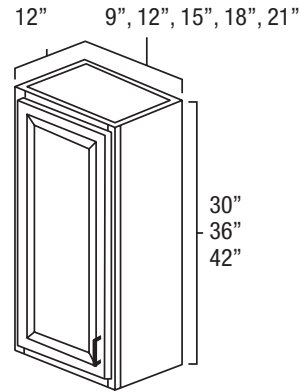
- **Wood Species:** Solid Maple / Birch
- **Face Frame:** Solid Wood
- **Door Type:** Flat Panel w/ Decorative Edge
- **Box Construction:** ½" Plywood
- **Drawer Glide:** Undermount Soft Close
- **Drawer Head:** 5-piece Matching Profile
- **Drawer Box:** ¾" Solid Wood Dovetail
- **Shelves:** ¾" Adjustable Plywood Shelves
- **Door Hinges:** Soft Close 6-Way Adjustable Concealed
- **Cabinet Exterior/Interior:** Natural Birch
- Full Overlay Design



## Single Door Wall

### 1 Door Wall Cabinets

W0930	9 x 30	WS   PS   HS   WP   ASP   WG
W0936	9 x 36	WS   PS   HS   WP   ASP   WG
W0942	9 x 42	WS   PS   HS   WP   ASP   WG
W1230	12 x 30	WS   PS   HS   WP   ASP   WG
W1236	12 x 36	WS   PS   HS   WP   ASP   WG
W1242	12 x 42	WS   PS   HS   WP   ASP   WG
W1530	15 x 30	WS   PS   HS   WP   ASP   WG
W1536	15 x 36	WS   PS   HS   WP   ASP   WG
W1542	15 x 42	WS   PS   HS   WP   ASP   WG
W1830	18 x 30	WS   PS   HS   WP   ASP   WG
W1836	18 x 36	WS   PS   HS   WP   ASP   WG
W1842	18 x 42	WS   PS   HS   WP   ASP   WG
W2130	21 x 30	WS   PS   HS   WP   ASP   WG
W2136	21 x 36	WS   PS   HS   WP   ASP   WG
W2142	21 x 42	WS   PS   HS   WP   ASP   WG



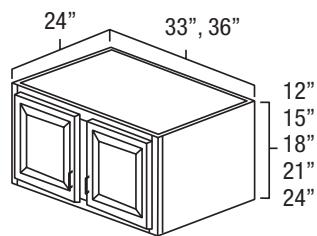
#### Specifications

- 30" and 36" wall cabinets have two adjustable shelves.
- 42" tall cabinets have three adjustable shelves.
- Doors may be replaced with corresponding glass doors

## Refrigerator Wall

### Refrigerator Wall Cabinet

WR3315	33 x 15	WS   PS   HS   WP   ASP   WG
WR3324	33 x 24	WS   PS   HS   WP   ASP   WG
WR3612	36 x 12	WS   PS   HS   WP   ASP   WG
WR3615	36 x 15	WS   PS   HS   WP   ASP   WG
WR3618	36 x 18	WS   PS   HS   WP   ASP   WG
WR3621	36 x 21	WS   PS   HS   WP   ASP   WG
WR3624	36 x 24	WS   PS   HS   WP   ASP   WG



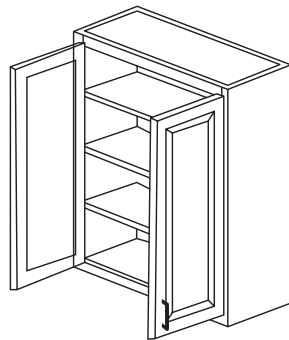
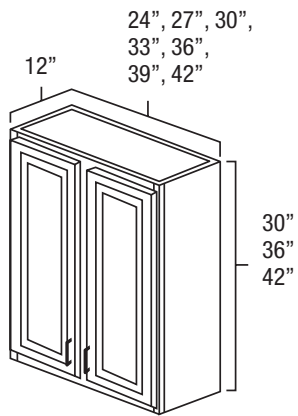
#### Specifications

- 24" tall cabinets have one adjustable shelf.
- 33" wide cabinets are available only in 15" and 24" height.
- Butt doors are standard.

## Double Door Wall

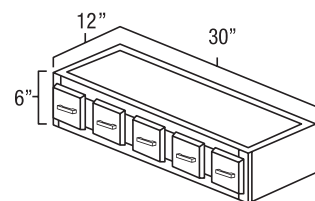
### 2 Door Wall Cabinets

W2430	24 x 30	WS   PS   HS   WP   ASP   WG
W2436	24 x 36	WS   PS   HS   WP   ASP   WG
W2442	24 x 42	WS   PS   HS   WP   ASP   WG
W2730	27 x 30	WS   PS   HS   WP   ASP   WG
W2736	27 x 36	WS   PS   HS   WP   ASP   WG
W2742	27 x 42	WS   PS   HS   WP   ASP   WG
W3030	30 x 30	WS   PS   HS   WP   ASP   WG
W3036	30 x 36	WS   PS   HS   WP   ASP   WG
W3042	30 x 42	WS   PS   HS   WP   ASP   WG
W3330	33 x 30	WS   PS   HS   WP   ASP   WG
W3336	33 x 36	WS   PS   HS   WP   ASP   WG
W3342	33 x 42	WS   PS   HS   WP   ASP   WG
W3630	36 x 30	WS   PS   HS   WP   ASP   WG
W3636	36 x 36	WS   PS   HS   WP   ASP   WG
W3642	36 x 42	WS   PS   HS   WP   ASP   WG
W3930	39 x 30	WS   PS   HS   WP   ASP   WG
W3936	39 x 36	WS   PS   HS   WP   ASP   WG
W3942	39 x 42	WS   PS   HS   WP   ASP   WG
W4230	42 x 30	WS   PS   HS   WP   ASP   WG
W4236	42 x 36	WS   PS   HS   WP   ASP   WG
W4242	42 x 42	WS   PS   HS   WP   ASP   WG



#### Specifications

- 30" and 36" wall cabinets have two adjustable shelves.
- 42" tall cabinets have three adjustable shelves.
- Butt doors on cabinets 24" - 36" wide.
- Doors may be replaced with corresponding set of double glass doors (see page 15).



## Refrigerator Wall

### Spice Drawer Wall Cab

WSC30	6 x 30	WS   PS   HS   WP   ASP   WG
-------	--------	------------------------------

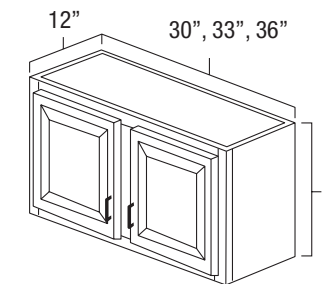
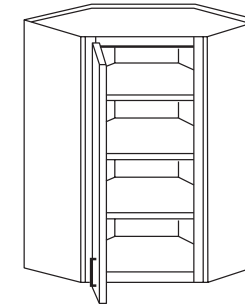
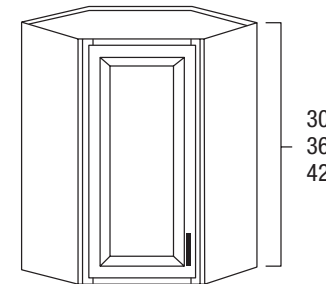
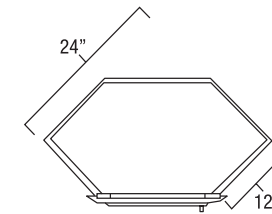
#### Specifications

- Finished Interior.
- Can be used without the drawers as a wine rack.

## Diagonal Corner Wall

### Diagonal Corner Wall

WDC2430	24 x 30	WS   PS   HS   WP   ASP   WG
WDC2436	24 x 36	WS   PS   HS   WP   ASP   WG
WDC2442	24 x 42	WS   PS   HS   WP   ASP   WG



#### Specifications

- 30" and 36" tall have 2 adjustable shelves.
- 42" tall have 3 adjustable shelves.
- Door may be replaced with corresponding diagonal glass door (see page 15).

## Bridge Wall

### Bridge Wall Cabinets

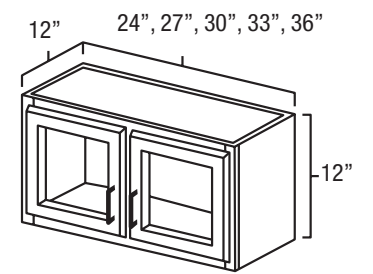
W3012	30 x 12	WS   PS   HS   WP   ASP   WG
W3312	33 x 12	WS   PS   HS   WP   ASP   WG
W3612	36 x 12	WS   PS   HS   WP   ASP   WG
W3015	30 x 15	WS   PS   HS   WP   ASP   WG
W3315	33 x 15	WS   PS   HS   WP   ASP   WG
W3615	36 x 15	WS   PS   HS   WP   ASP   WG
W3018	30 x 18	WS   PS   HS   WP   ASP   WG
W3318	33 x 18	WS   PS   HS   WP   ASP   WG
W3618	36 x 18	WS   PS   HS   WP   ASP   WG
W3021	30 x 21	WS   PS   HS   WP   ASP   WG
W3321	33 x 21	WS   PS   HS   WP   ASP   WG
W3621	36 x 21	WS   PS   HS   WP   ASP   WG
W3024	30 x 24	WS   PS   HS   WP   ASP   WG
W3324	33 x 24	WS   PS   HS   WP   ASP   WG
W3624	36 x 24	WS   PS   HS   WP   ASP   WG

## Double Decorative Stacker

### Wall (with plain glass)

#### Double Dec Stacker

W2412PG	24x12	WS   PS   HS   WP   ASP   WG
W2712PG	27x12	WS   PS   HS   WP   ASP   WG
WDC2442	24 x 42	WS   PS   HS   WP   ASP   WG
W3012PG	30x12	WS   PS   HS   WP   ASP   WG
W3312PG	33x12	WS   PS   HS   WP   ASP   WG
W3612PG	36x12	WS   PS   HS   WP   ASP   WG

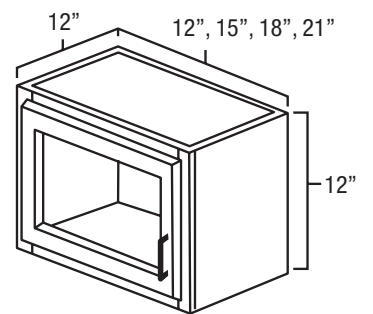


## Single Decorative Stacker

### Wall (with plain glass)

#### Single Dec Stacker

W1212PG	12x12	WS   PS   HS   WP   ASP   WG
W1512PG	15x12	WS   PS   HS   WP   ASP   WG
W1812PG	18x12	WS   PS   HS   WP   ASP   WG
W2112PG	21x12	WS   PS   HS   WP   ASP   WG



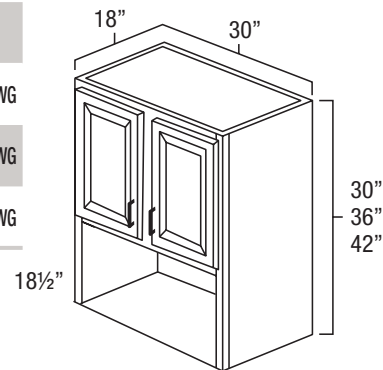
## Microwave Wall

### Microwave Wall Cab

MW3030 30x30 WS | PS | HS | WP | ASP | WG

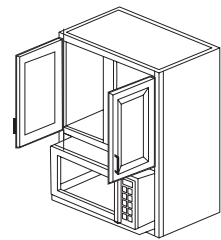
MW3036 30x36 WS | PS | HS | WP | ASP | WG

MW3042 30x42 WS | PS | HS | WP | ASP | WG



### Specifications

- Designed for "counter" style microwaves.
- Opening width is 26-7/8" x 18-1/2".
- Butt doors on all microwave cabinets.



## Blind Corner Wall

### Blind Corner Wall Cab

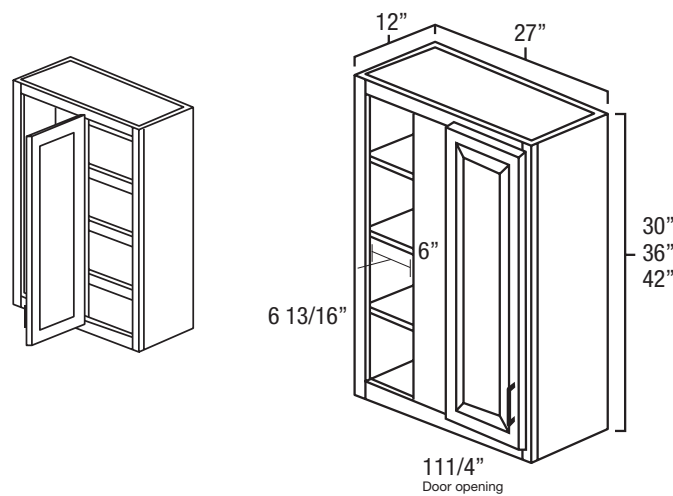
WBC2730 27x30 WS | PS | HS | WP | ASP | WG

WBC2736 27x36 WS | PS | HS | WP | ASP | WG

WBC2742 27x42 WS | PS | HS | WP | ASP | WG

### Specifications

- 30" and 36" tall have 2 shelves.
- 42" tall have 3 adjustable shelves.
- Can be pulled to a max of 3" to make it cover 30"
- 613/16" blind opening
- 13 3/4" door width



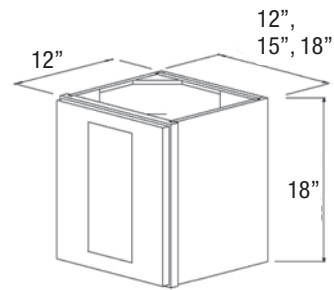
## Single Door Wall

### 18" High Single Door

W1218 12x12x18 WS | PS | HS | WP | ASP | WG

W1518 15x12x18 WS | PS | HS | WP | ASP | WG

W1818 18x12x18 WS | PS | HS | WP | ASP | WG

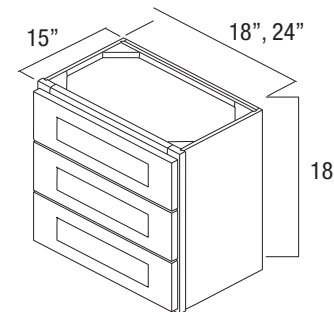


## 3 Drawer Wall

### Wall 3 Drawer

W3DR18 18" WS | PS | HS | WP | ASP | WG

W3DR24 24" WS | PS | HS | WP | ASP | WG



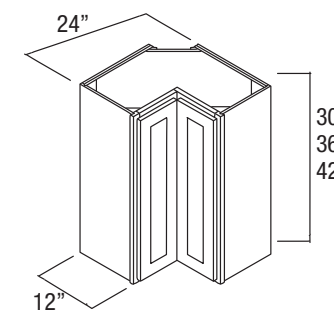
## Easy Reach Wall

### Wall Easy Reach

WER2430 24x30 WS | PS | HS | WP | ASP | WG

WER2436 24x36 WS | PS | HS | WP | ASP | WG

WER2442 24x42 WS | PS | HS | WP | ASP | WG



## Angled EndWall

### Angled End Wall Cab

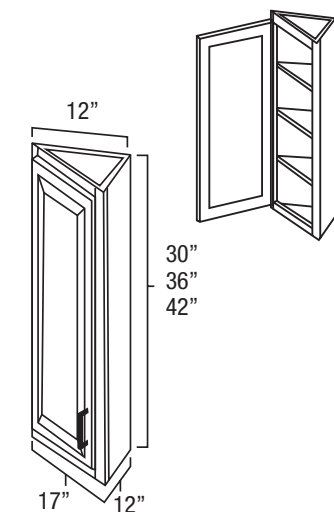
WCA1230 12 x 30 WS | PS | HS | WP | ASP | WG

WCA1236 12 x 36 WS | PS | HS | WP | ASP | WG

WCA1242 12 x 42 WS | PS | HS | WP | ASP | WG

### Specifications

- 30" and 36" wall cabinets have two adjustable shelves.
- 42" wall cabinets have three adjustable shelves.



## Single Drawer & Door Base

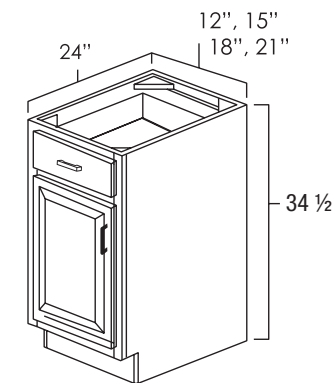
### Single Drawer & Door

B12 12" WS | PS | HS | WP | ASP | WG

B15 15" WS | PS | HS | WP | ASP | WG

B18 18" WS | PS | HS | WP | ASP | WG

B21 21" WS | PS | HS | WP | ASP | WG



### Specifications

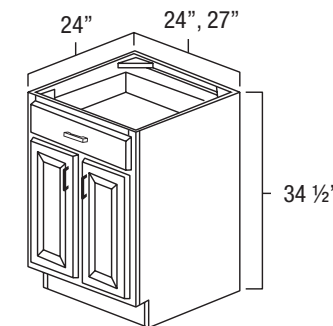
- 1/2 depth adjustable shelf.

## Double Doors & Single Drawer

### Double Drawer Single Door

B24 24" WS | PS | HS | WP | ASP | WG

B27 27" WS | PS | HS | WP | ASP | WG



### Specifications

- 1/2 depth adjustable shelf.
- Butt doors on both 24" and 27" wide bases.

## Double Drawers & Doors Base

### Double Drawer & Door

B30 30" WS | PS | HS | WP | ASP | WG

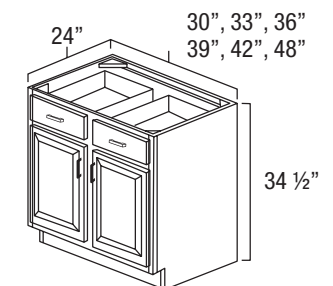
B33 33" WS | PS | HS | WP | ASP | WG

B36 36" WS | PS | HS | WP | ASP | WG

B39 39" WS | PS | HS | WP | ASP | WG

B42 42" WS | PS | HS | WP | ASP | WG

B48 48" WS | PS | HS | WP | ASP | WG



### Specifications

- 1/2 depth adjustable shelf.
- Butt doors on 30" through 36" wide bases.

## Drawer Base

### Drawer Base Cabinets

DB12 12" WS | PS | HS | WP | ASP | WG

DB15 15" WS | PS | HS | WP | ASP | WG

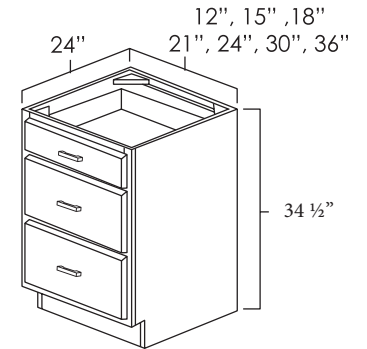
DB18 18" WS | PS | HS | WP | ASP | WG

DB21 21" WS | PS | HS | WP | ASP | WG

DB24 24" WS | PS | HS | WP | ASP | WG

DB30 30" WS | PS | HS | WP | ASP | WG

DB36 36" WS | PS | HS | WP | ASP | WG



### Specifications

- One standard drawer on top and two deep drawers below.

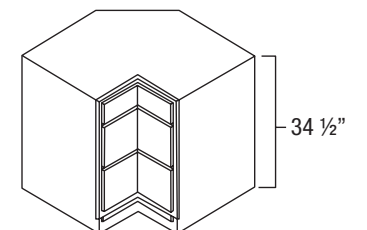
## Corner Drawer Base

### Corner Drawer Base

CDB36 36" WS | PS | HS | WP | ASP | WG

### Specifications

- This cabinet has three fully functioning, full extension drawers.
- One standard drawer on top and two deep drawers below.





## Sink Base

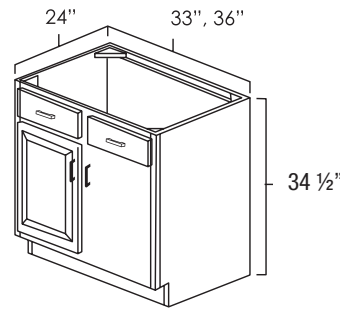
### Sink Base Cabinet

SB33 33" WS | PS | HS | WP | ASP | WG

SB36 36" WS | PS | HS | WP | ASP | WG

#### Specifications

- For additional sizes use Standard Base cabinet (page 8).
- For additional sizes specify to be used as a Sink Base.

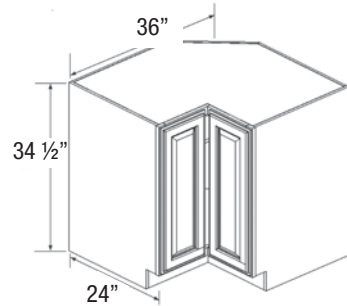


## Easy Reach Base

### Easy Reach Base Cabinet

BER33 33" WS | PS | HS | WP | ASP | WG

BER36 36" WS | PS | HS | WP | ASP | WG



## 2 Drawer Base

### 2 Drawer Base Cabinets

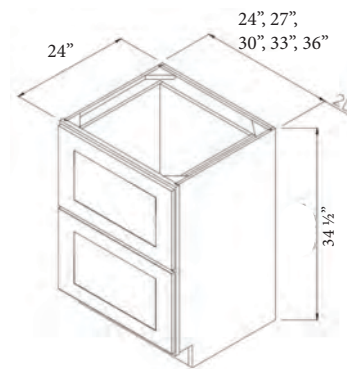
2DB24 24" WS | PS | HS | WP | ASP | WG

2DB27 27" WS | PS | HS | WP | ASP | WG

2DB30 30" WS | PS | HS | WP | ASP | WG

2DB33 33" WS | PS | HS | WP | ASP | WG

2DB36 36" WS | PS | HS | WP | ASP | WG



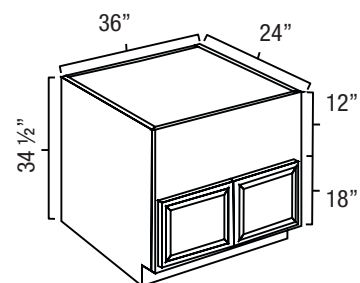
## Farm Sink Base

### Farm Sink Base

FSB36 36" WS | PS | HS | WP | ASP | WG

#### Specifications

- 18" high cabinet doors.
- There are no shelves or drawers.



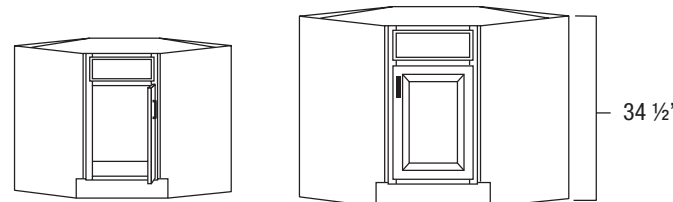
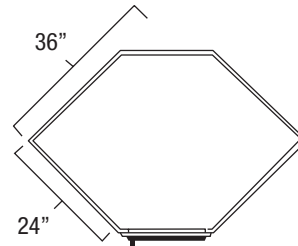
## Diagonal Corner Sink

### Diagonal Corner Sink

DCSB36 36" WS | PS | HS | WP | ASP | WG

#### Specifications

- There are no shelves or drawers in this cabinet.



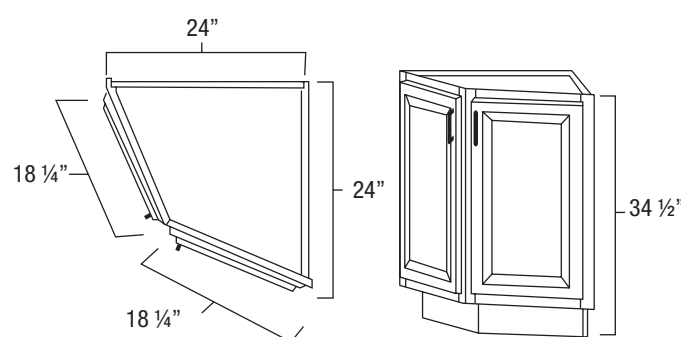
## Angled End Base

### Angled End Base

BA24 24" WS | PS | HS | WP | ASP | WG

#### Specifications

- One adjustable shelf.



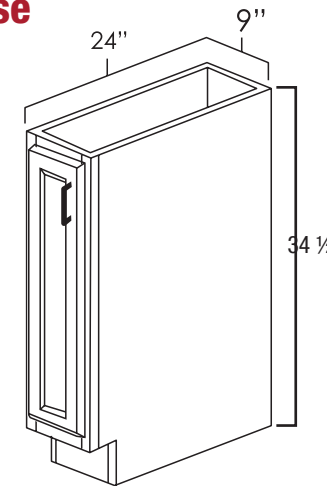
## Full Height/Tray Base

### Full Height Tray Base

TB09 9" WS | PS | HS | WP | ASP | WG

#### Specifications

- There are no shelves in this cabinet or top drawer.
- Good for trays & cookie sheets.



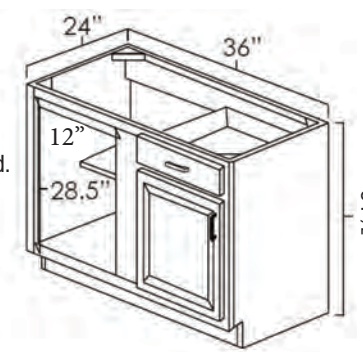
## Blind Corner Base

### Blind Corner Base

	Width	Door Opening	Center Stile	Full Door Width	Pull Min.	Pull Max.
BBC36	36"	12"	9"	149/16"	4"	6"

#### Specifications

- Cannot pull farther than 9".
- 149/16" door overlay.
- Used as a right (R) or left (L) blind.
- Pulled a minimum of 4".



## Microwave Base

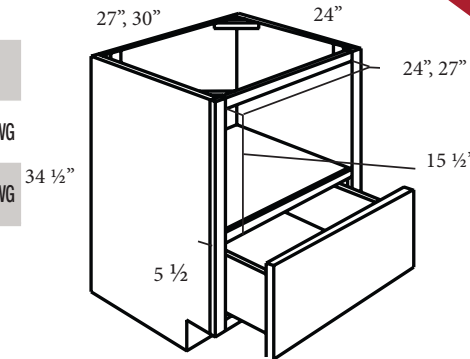
### Microwave Base

BMC27 27" WS | PS | HS | WP | ASP | WG

BMC30 30" WS | PS | HS | WP | ASP | WG

#### Specifications

- 1 Soft-close drawer.



## Lazy Susan Corner Base

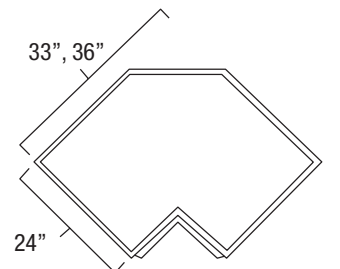
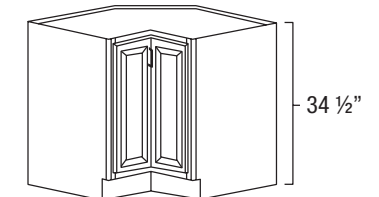
### Lazy Susan Corner

LS3312 33" WS | PS | HS | WP | ASP | WG

LS3612 36" WS | PS | HS | WP | ASP | WG

#### Specifications

- Two stainless steel, height adjustable baskets are standard.
- Doors may be mounted to open right or left.

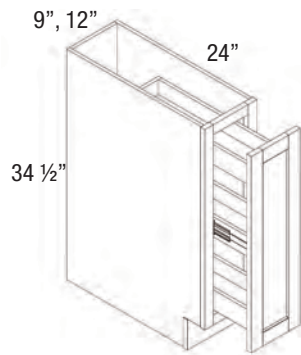


## Spice Rack Base

### Base Spice Rack

BSR9 9" WS | PS | HS | WP | ASP | WG

BSR12 12" WS | PS | HS | WP | ASP | WG



### Specifications

- Pull out spice rack

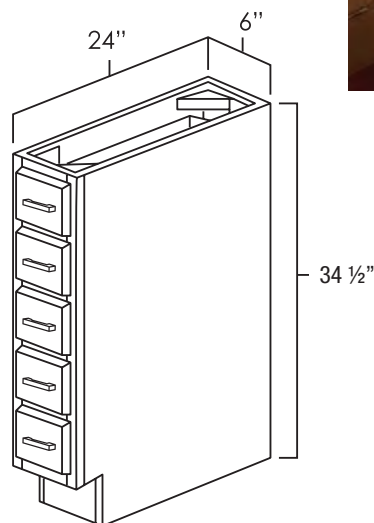
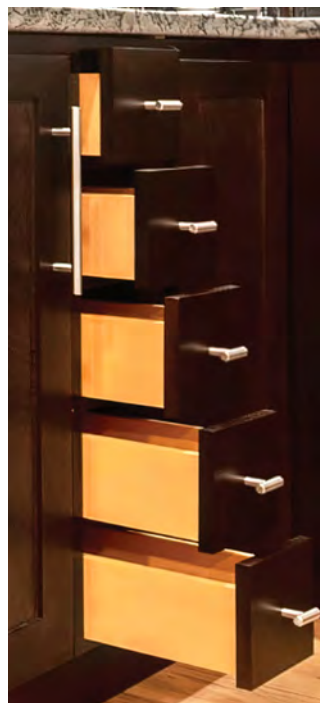
## Spice Drawer Base

### Spice Drawer Base

BSD6 6" WS | PS | HS | WP | ASP | WG

### Specifications

- This cabinet does not come with drawer slides.
- The cabinet can be used without the drawers as a wine rack.



## 18" Wide Utility

### 18" Wide Utility

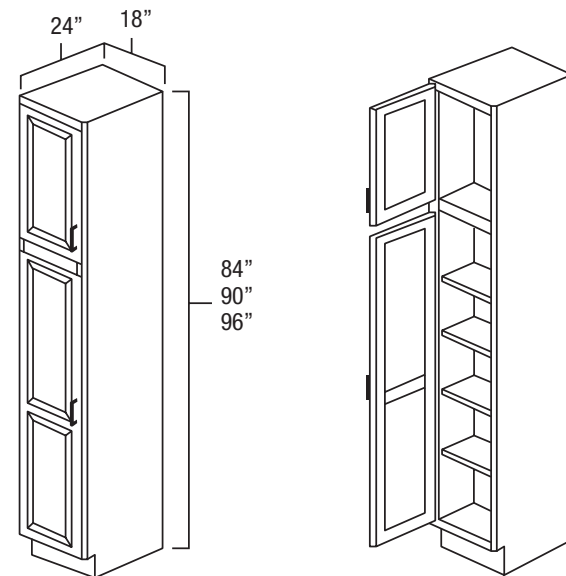
UC1884 18x84 WS | PS | HS | WP | ASP | WG

UC1890 18x90 WS | PS | HS | WP | ASP | WG

UC1896 18x96 WS | PS | HS | WP | ASP | WG

### Specifications

- Includes 4 adjustable shelves.
- Bottom section is 54" tall.
- Toe kick attached to all heights.
- For Roll Out Tray accessories see page 13.



## Universal Oven Utility

### Universal Oven Cab

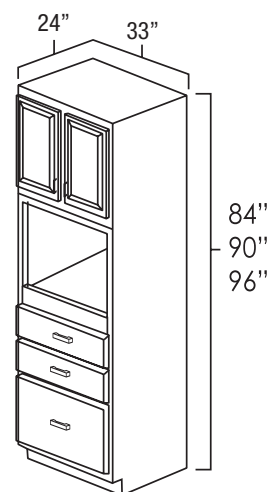
UOC3384 33x84 WS | PS | HS | WP | ASP | WG

UOC3390 33x90 WS | PS | HS | WP | ASP | WG

UOC3396 33x96 WS | PS | HS | WP | ASP | WG

### Specifications:

- The cut out opening measures 28 1/2" x 22".
- Can be arranged as a single oven, double oven, or oven/microwave combination by removing the necessary drawers.



## 24" Utility

### 24" Wide Utility

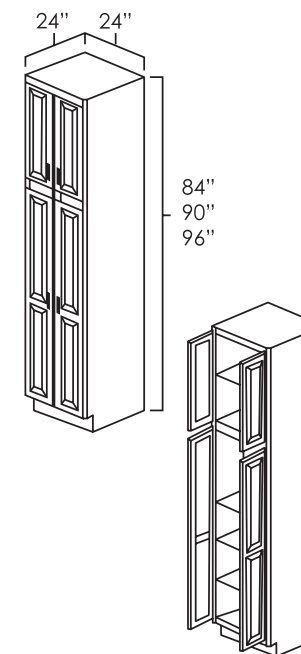
UC2484 24x84 WS | PS | HS | WP | ASP | WG

UC2490 24x90 WS | PS | HS | WP | ASP | WG

UC2496 24x96 WS | PS | HS | WP | ASP | WG

### Specifications

- For Roll Out Tray accessories see page 13.



## Split Pantry Wall Utility

### Pantry Wall

W183024 18x30 WS | PS | HS | WP | ASP | WG

W183624 18x36 WS | PS | HS | WP | ASP | WG

W184224 18x42 WS | PS | HS | WP | ASP | WG

W243024 24x30 WS | PS | HS | WP | ASP | WG

W243624 24x36 WS | PS | HS | WP | ASP | WG

W244224 24x42 WS | PS | HS | WP | ASP | WG

W303024 30w x 30 WS | PS | HS | WP | ASP | WG

W303624 30x36 WS | PS | HS | WP | ASP | WG

W304224 30x42 WS | PS | HS | WP | ASP | WG

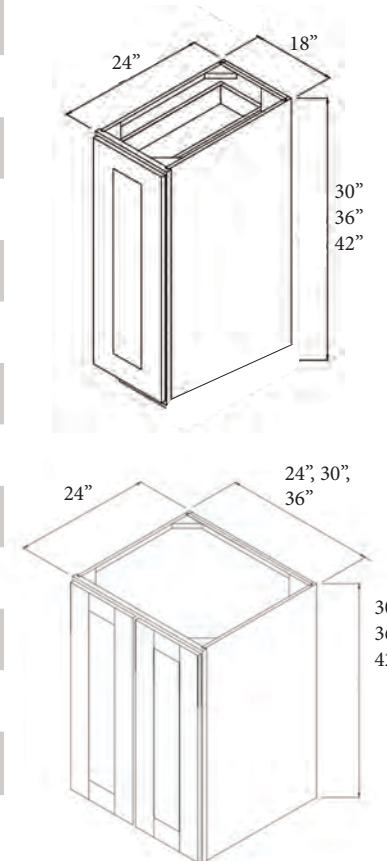
W363024 36x30 WS | PS | HS | WP | ASP | WG

W363624 36x36 WS | PS | HS | WP | ASP | WG

W364224 36x42 WS | PS | HS | WP | ASP | WG

### Specifications

- Both Wall and Base 18" Split Pantries are single door.
- All other sizes are double door.



## Split Pantry Base Utility

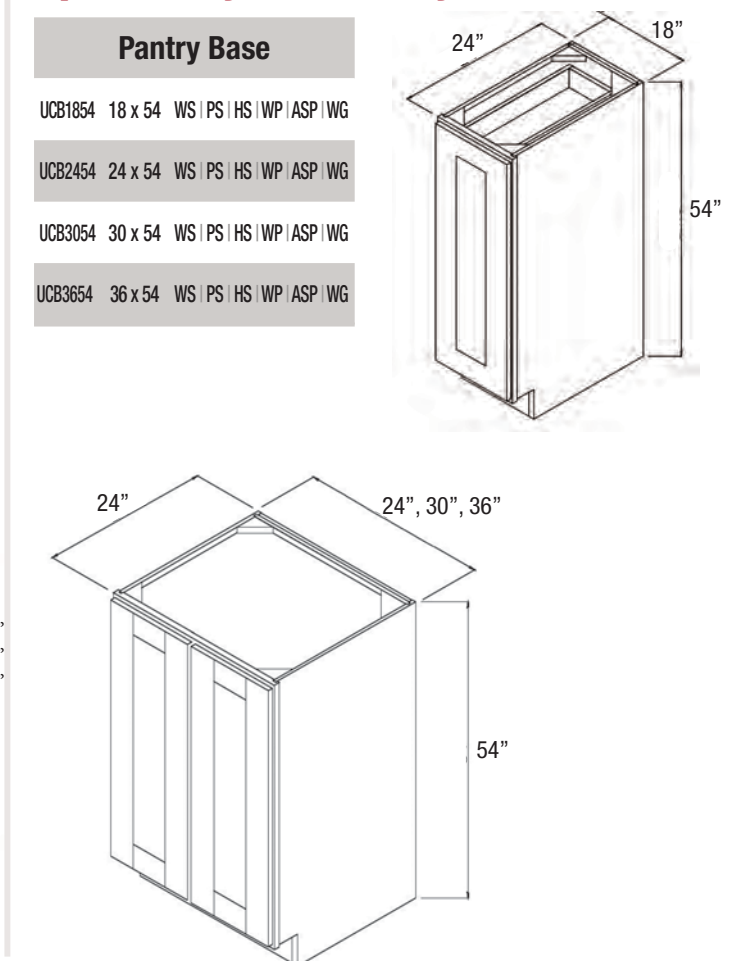
### Pantry Base

UCB1854 18x54 WS | PS | HS | WP | ASP | WG

UCB2454 24x54 WS | PS | HS | WP | ASP | WG

UCB3054 30x54 WS | PS | HS | WP | ASP | WG

UCB3654 36x54 WS | PS | HS | WP | ASP | WG





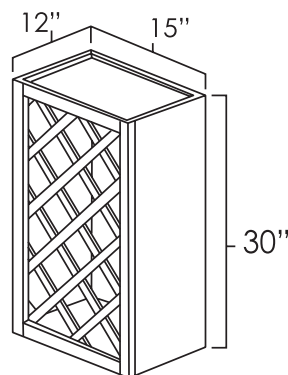
Lattice Wine Rack Accessories

Lattice Wine Rack

LWR3015 30 x 15 WS | PS | HS | WP | ASP | WG

Specifications

- Holds 11 bottles.
- Can install horizontally or vertically.
- Will hold 3-3/4" diameter bottles.



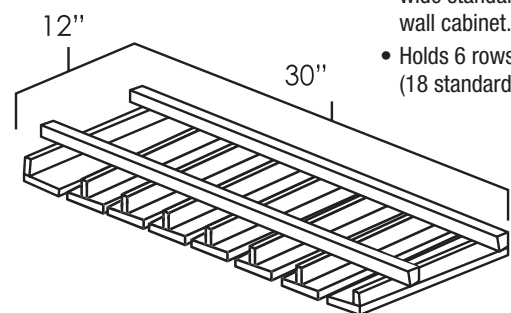
Stem Glass Holders Accessories

Stem Glass Holder

SGH 12 x 30 WS | PS | HS | WP | ASP | WG

Specifications

- Solid wood.
- Mounts to bottom of wall cabinet.
- Can be cut to fit smaller cabinets.
- Fitted to mount under any 30" wide standard, stacker, or bridge wall cabinet.
- Holds 6 rows of glasses (18 standard size wine glasses)



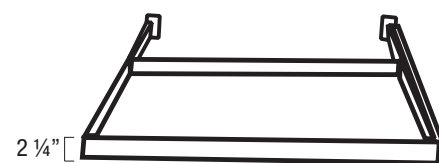
Roll Out Trays Accessories

Roll Out Trays

ROT15	15"
ROT18	18"
ROT21	21"
ROT24	24"
ROT27	27"
ROT30	30"
ROT33	33"
ROT36	36"

Specifications

- Drawer glide hardware and wood finish for ROT are the same as the standard drawers in their corresponding cabinet line.
- May be used in any 24" deep cabinet (Base, Refrigerator Wall, Pantries).
- Undermount Drawer Glides, softclose.
- Depth is 1 3/8"



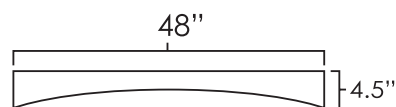
Arched Valance Accessories

Arched Valances

VA48 48" WS | PS | HS | WP | ASP | WG

Specifications

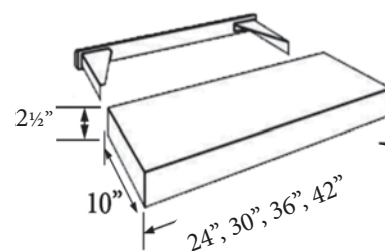
- Can be trimmed down to needed size.



Accessories

Finished Floating Shelf

FFS24	24"	WS   PS   HS   WP   ASP   WG
FFS30	30"	WS   PS   HS   WP   ASP   WG
FFS36	36"	WS   PS   HS   WP   ASP   WG
FFS42	42"	WS   PS   HS   WP   ASP   WG



Range Hood Fronts Accessories

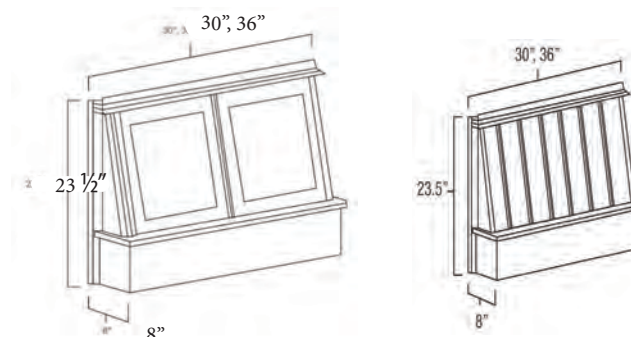
Range Hood Front

RHF30 30" WS | PS | HS | WP | ASP | WG

RHF36 36" WS | PS | HS | WP | ASP | WG

Specifications

- Must be installed between two cabinets for support.
- Before installation of the RHF occurs, the blower should be installed and the depth adjusted using fillers and/or panels to fit the blower.



Winchester Grey Range Hood

Knee Drawer Accessories

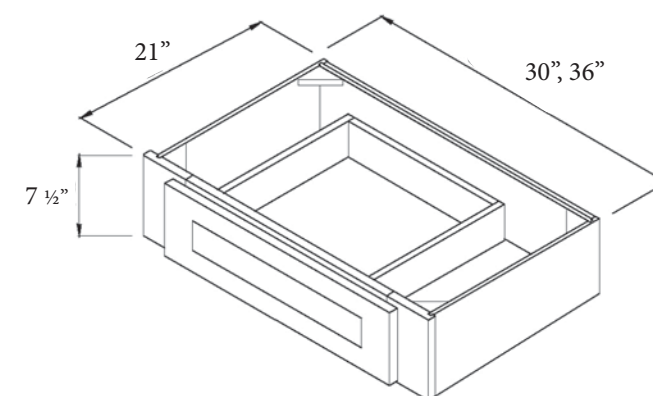
Under Counter Knee Drawer

UCD30 30" WS | PS | HS | WP | ASP | WG

UCD36 36" WS | PS | HS | WP | ASP | WG

Specifications

- Drawer unit designed to be installed under counter to create a desk area.
- Drawers can be installed beside either vanity cabinets (21" depth) or standard base cabinets (24" depth).



Corbels Accessories

Corbels

CBLPN2 Small WS | PS | HS | WP | ASP | WG

CBLPN3 Large WS | PS | HS | WP | ASP | WG

Specifications

- Available in 2 size options

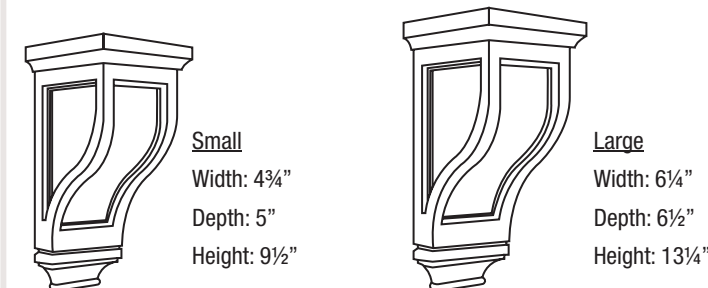


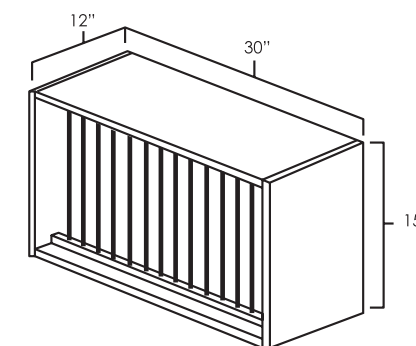
Plate Rack Accessories

Plate Rack

PR3015 30"x15" WS | PS | HS | WP | ASP | WG

Specifications

- Can hold 10 plates.
- Plate rack may also be used with wall cabinets.



## Single Glass Diagonal Doors Mullion & Plain Accessories

### Single Glass Diagonal

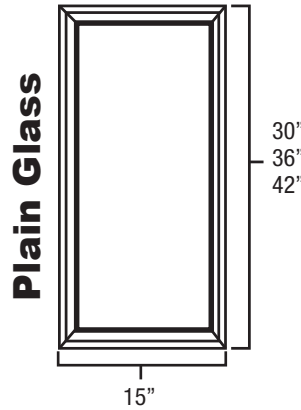
PGWDC30 30" WS | PS | HS | WP | ASP | WG

PGWDC36 36" WS | PS | HS | WP | ASP | WG

PGWDC42 42" WS | PS | HS | WP | ASP | WG

### Specifications

- Fits WDC cabinet 30, 36, 42 heights



## Plain Glass Doors Accessories

### Plain Glass Door

PG1530 15x30 WS | PS | HS | WP | ASP | WG

PG1536 15x36 WS | PS | HS | WP | ASP | WG

PG1542 15x42 WS | PS | HS | WP | ASP | WG

PG1830 18x30 WS | PS | HS | WP | ASP | WG

PG1836 18x36 WS | PS | HS | WP | ASP | WG

PG1842 18x42 WS | PS | HS | WP | ASP | WG

PG2130 21x30 WS | PS | HS | WP | ASP | WG

PG2136 21x36 WS | PS | HS | WP | ASP | WG

PG2142 21x42 WS | PS | HS | WP | ASP | WG

### Set Plain Double Glass

PG2430 24x30 WS | PS | HS | WP | ASP | WG

PG2436 24x36 WS | PS | HS | WP | ASP | WG

PG2442 24x42 WS | PS | HS | WP | ASP | WG

PG3030 30x30 WS | PS | HS | WP | ASP | WG

PG3036 30x36 WS | PS | HS | WP | ASP | WG

PG3042 30x42 WS | PS | HS | WP | ASP | WG

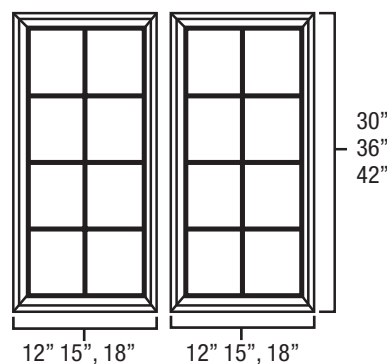
PG3630 36x30 WS | PS | HS | WP | ASP | WG

PG3636 36x36 WS | PS | HS | WP | ASP | WG

PG3642 36x42 WS | PS | HS | WP | ASP | WG

### Specifications

- The information following in the sku indicate the size / type of cabinet the door will fit. EX: PG2442 fits a W2442.
- Single cabinet doors from PG1530 to PG2142
- PG2430 to PG3642 are double sets of cabinet doors



## Single Glass Doors Accessories

### Mullion Single Glass Door

MD1530 15 x 30 WS | PS | HS | WP | ASP | WG

MD1830 18 x 30 WS | PS | HS | WP | ASP | WG

MD2130 21 x 30 WS | PS | HS | WP | ASP | WG

MD1536 15 x 36 WS | PS | HS | WP | ASP | WG

MD1836 18 x 36 WS | PS | HS | WP | ASP | WG

MD2136 21 x 36 WS | PS | HS | WP | ASP | WG

MD1542 15 x 42 WS | PS | HS | WP | ASP | WG

MD1842 18 x 36 WS | PS | HS | WP | ASP | WG

MD2142 21 x 42 WS | PS | HS | WP | ASP | WG

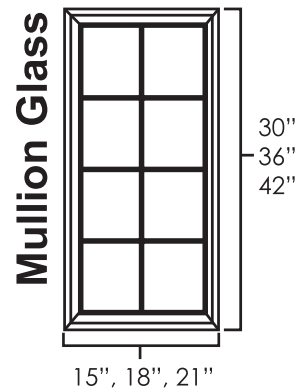
MDWDC30 30" WS | PS | HS | WP | ASP | WG

MDWDC36 36" WS | PS | HS | WP | ASP | WG

MDWDC42 42" WS | PS | HS | WP | ASP | WG

### Specifications

- The information following MD in the sku indicate the size / type of cabinet the door will fit. EX: MD2442 fits a W2442. EX: MDWDC36 fits a WDC2436.
- 30" and 36" high cabinets will have 6 panes while 42" high cabinets have 8.



## Double Glass Doors Accessories

### Mullion Glass Door

MD2430 24"x30" WS | PS

MD2436 24"x36" WS | PS

MD2442 24"x42" WS | PS

MD3030 30"x30" WS | PS

MD3036 30"x36" WS | PS

MD3042 30"x42" WS | PS

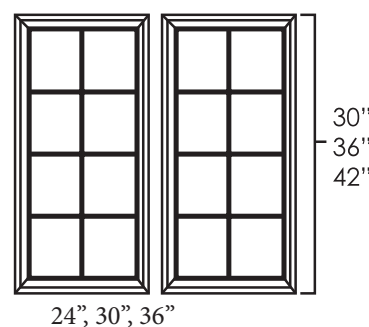
MD3630 36"x30" WS | PS

MD3636 36"x36" WS | PS

MD3642 36"x42" WS | PS

### Specifications

- The information following MD in the sku indicate the size / type
- 30" and 36" high cabinets have 6 panes, 42" high cabinets have 8.
- Come in set of 2



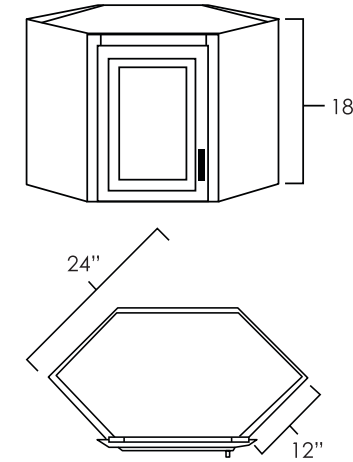
## Appliance Garage Accessories

### Appliance Garage

AG2418 24 x 18 WS | PS | HS | WP | ASP | WG

### Specifications

- Designed for installation on countertop.
- Fits directly below a wall diagonal corner cabinet.
- There are no shelves.

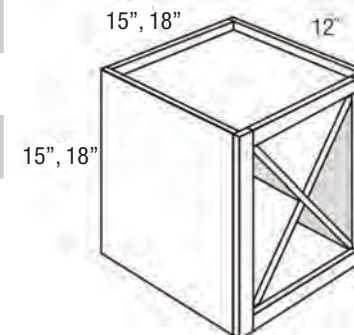


## Wine Storage Cube Accessories

### Wine Storage Cube

WSC1515 15" WS | PS | HS | WP | ASP | WG

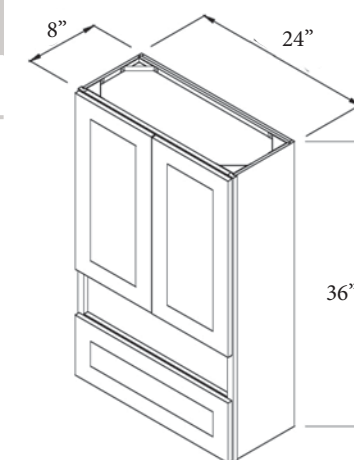
WSC1818 18" WS | PS | HS | WP | ASP | WG



## Toilet Topper Accessories

### Toilet Topper

TT2436 24x36 WS | PS | HS | WP | WG



## Drawer BaseVanity

### Vanity Drawer Base

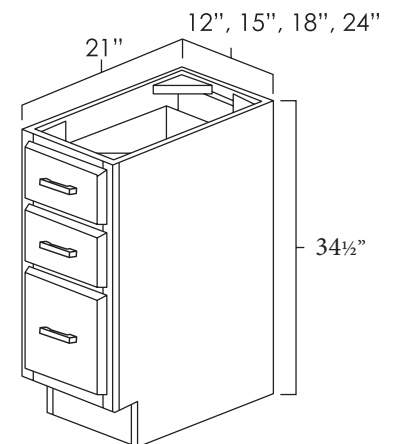
VDB1221 12" WS | PS | HS | WP | ASP | WG

VDB1521 15" WS | PS | HS | WP | ASP | WG

VDB1821 18" WS | PS | HS | WP | ASP | WG

VDB2121 21" WS | PS | HS | WP | ASP | WG

VDB2421 24" WS | PS | HS | WP | ASP | WG



### Specifications

- Depth: 21".
- All styles have one standard drawer on top and two drawers below.
- All three drawers are fully functioning.

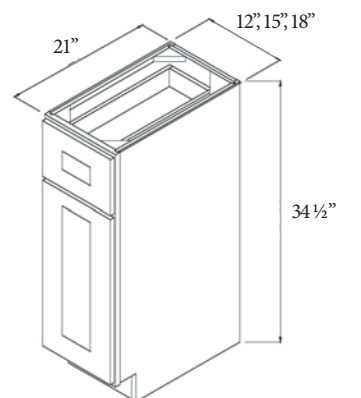
## BaseVanity

### Vanity Base

VB12 12" WS | PS | HS | WP | WG

VB15 15" WS | PS | HS | WP | WG

VB18 18" WS | PS | HS | WP | WG

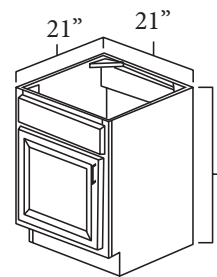




## Sink BaseVanity

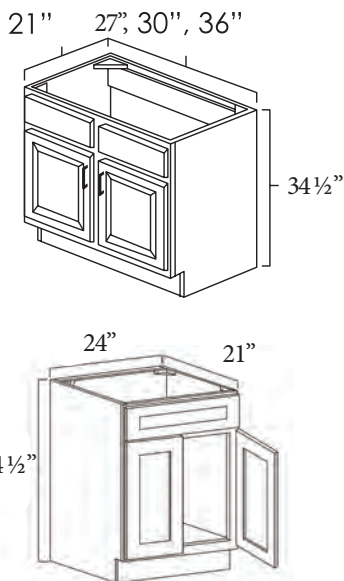
### Sink Base Vanity

V2121	21 x 21	WS   PS   HS   WP   ASP   WG
V2421	24 x 21	WS   PS   HS   WP   ASP   WG
V2721	27 x 21	WS   PS   HS   WP   ASP   WG
V3021	30 x 21	WS   PS   HS   WP   ASP   WG
V3621	36 x 21	WS   PS   HS   WP   ASP   WG



### Specifications

- There are no shelves or drawers in these cabinets



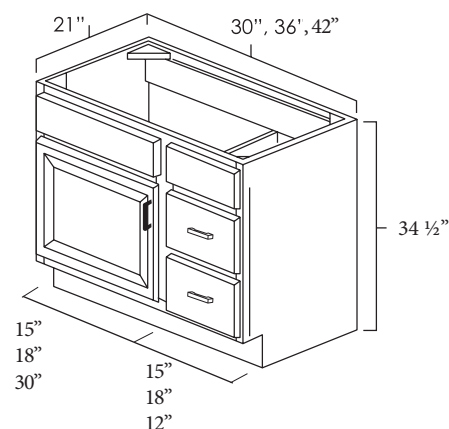
## Single Door Vanity

### Single Door Vanity

V3021DL	30x21 left	WS   PS   HS   WP   ASP   WG
V3021DR	30x21 Right	WS   PS   HS   WP   ASP   WG
V3621DL	36x21 left	WS   PS   HS   WP   ASP   WG
V3621DR	36x21 Right	WS   PS   HS   WP   ASP   WG
V4221DL	42x21 left	WS   PS   HS   WP   ASP   WG
V4221DR	42x21 Right	WS   PS   HS   WP   ASP   WG

### Specifications

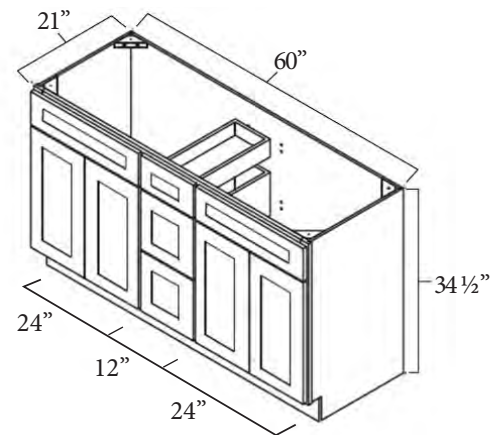
- Depth: 21".
- There are no shelves in these cabinets.
- Only the bottom two drawers are functioning.
- All styles have one standard false drawer front on top and two deep drawers below.
- WHEN INDICATING RIGHT (R) or LEFT (L), IT CORRESPONDS TO THE SIDE THE DRAWERS ARE ON WHILE LOOKING AT IT



## Double Sink Vanity

### Double Sink Vanity

VSDB60	60 x 21	WS   PS   HS   WP   ASP   WG
--------	---------	------------------------------



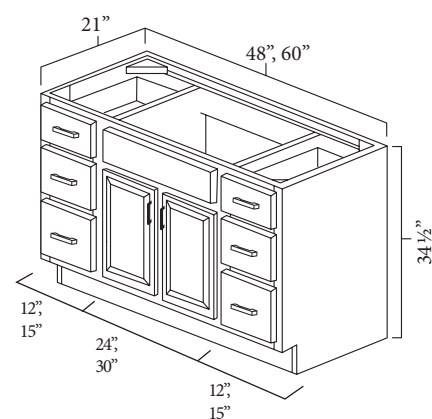
## Double DoorVanity

### Double Door Vanity

V4821DD	48x21	WS   PS   HS   WP   ASP   WG
V6021DD	60x21	WS   PS   HS   WP   ASP   WG

### Specifications

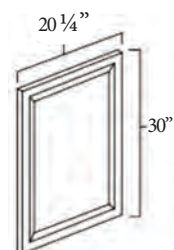
- Depth: 21".
- There are no shelves.
- All styles have two standard drawers on top and four deep drawers below.
- Butt doors on both vanity combinations.



## Matching End PanelVanity

### Vanity Base

MVEPBH	30x20	WS   PS   HS   WP   WG
--------	-------	------------------------



## Wall End Panels

### Wall End Panels

WEP1542	15 x 42	WS   PS   HS   WP   ASP   WG
---------	---------	------------------------------

### Specifications

- 1/2" thick panel with a 3" wide wall filler on the front.
- Can be trimmed to desired height and/or width.
- May be used left or right.

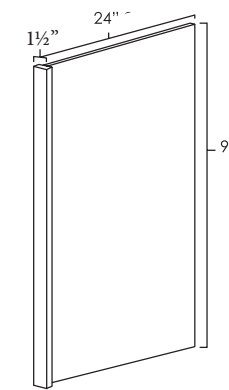
## Refrigerator End Panels

### Wall End Panels

REP9624	96x24	WS   PS   HS   WP   ASP   WG
---------	-------	------------------------------

### Specifications

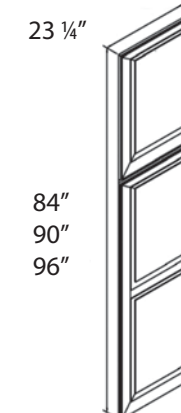
- 1/2" thick panel 1 1/2" filler.
- Trimmed to height/width.
- May be used left or right.



## Matching Tall End Panels

### Matching Tall End Panels

MTEP84	23 1/4 x 84	WS   PS   HS   WP   ASP   WG
MTEP90	23 1/4 x 90	WS   PS   HS   WP   ASP   WG
MTEP96	23 1/4 x 96	WS   PS   HS   WP   ASP   WG



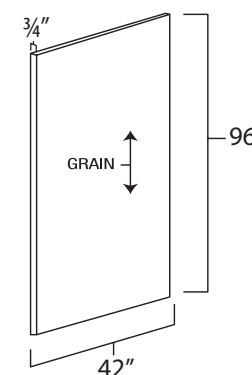
## Plywood Edge Banded Panels

### Edge Banded Panels

PLYEB42	42 x 96	WS   PS   HS   WP   WG
---------	---------	------------------------

### Specifications

- Can be used as refrigerator end panels.
- Edgebanded



## Base Veneer Skin & End Panels

### Base End & Veneer Skin

BS2435	24x34 1/2	HS   WG
BEP3	24x34 1/2	WS   PS   HS   WP   ASP   WG

### Specifications

- BEP3 is 1/2" thick panel with a 3" wide base filler on the front.
- May be used left or right.
- BS2435 is 3/16" thick.



## Island Panels

### Island Panels

IS3696	36x96	WS   PS   HS   WP   ASP   WG
--------	-------	------------------------------

## Decorative End Panels

### Decorative End Panels

DP1230	12 x 30	WS   PS   HS   WP   ASP   WG
DP1236	12 x 36	WS   PS   HS   WP   ASP   WG
DP1242	12 x 42	WS   PS   HS   WP   ASP   WG
DP2430	24 x 30	WS   PS   HS   WP   ASP   WG

## Bead Board Panels

### Bead Board Panels

BBFBP4896	48x96	WS   PS   HS   WP
-----------	-------	-------------------

## Tall Fillers

### Tall Section Filler

WF696	6x96	WS   PS   HS   WP   ASP   WG
-------	------	------------------------------

## Base Fillers

### Base Fillers

BF3	3 x 34 1/2	WS   PS   HS   WP   ASP   WG
BF6	6 x 34 1/2	WS   PS   HS   WP   ASP   WG
TF396	3 x 96	WS   PS   HS   WP   ASP   WG

## Fluted Base Fillers

### Fluted base Fillers

BFF3	3 x 34 1/2	WS   PS   HS   WP   ASP   WG
BFF6	6 x 34 1/2	WS   PS   HS   WP   ASP   WG

## Wall Fillers

### Wall Fillers

WF342	3 x 42	WS   PS   HS   WP   ASP   WG
WF642	6 x 42	WS   PS   HS   WP   ASP   WG
WF396	3 x 96	WS   PS   HS   WP   ASP   WG

## Fluted Wall Fillers

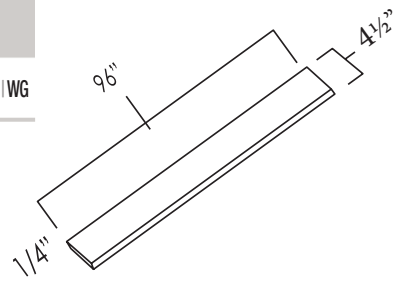
### Fluted Wall Fillers

WFF342	3 x 42	WS   PS   HS   WP   ASP   WG
WFF642	6 x 42	WS   PS   HS   WP   ASP   WG
WFF396	3 x 96	WS   PS   HS   WP   ASP   WG

## Toe Kick Moulding

Toe Kicks	
TK8	8' WS   PS   HS   WP   ASP   WG

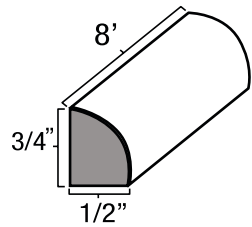
- Specifications**
- 1/4" thick.
  - Can be cut to fit.



## Shoe Moulding

Shoe Moulding	
SHM8	8' WS   PS   HS   WP   ASP   WG

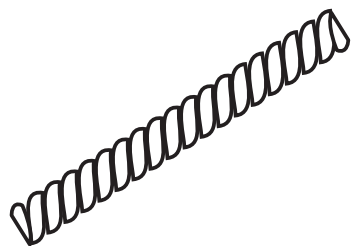
- Specifications**
- 3/4" tall
  - 1/2" thick



## Rope Insert Moulding

Rope Insert Moulding	
ROPE8	8' WS   PS   HS   WP   ASP   WG

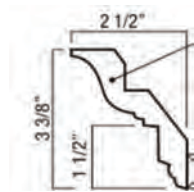
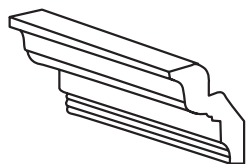
- Specifications**
- Sold in 8 ft long sections.
  - 9/16th of an inch wide.
  - 1/4 inch thick.
  - Crown molding insert.



## Crown Moulding

Crown Moulding	
LCM8	8' WS   PS   HS   WP   ASP   WG

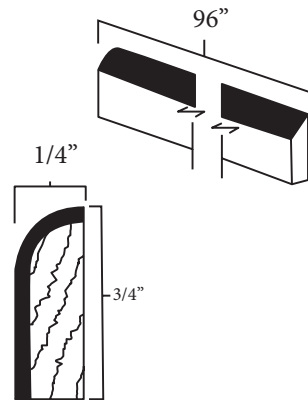
- Specifications**
- Sold in 8ft sections.
  - Flat section to accommodate Rope insert.
  - When applying crown to full overlay cabinets a crown backer required.



## Scribe Moulding

Scribe Moulding	
SM8	8' WS   PS   HS   WP   ASP

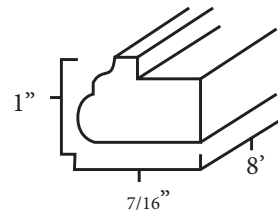
- Specifications**
- Sold in 8 ft long sections.
  - Use behind Light Rail Molding when wrapping around the side of a wall cabinet.



## Light Rail Moulding

Light Rail Moulding	
LRM8	8' WS   PS   HS   WP   ASP

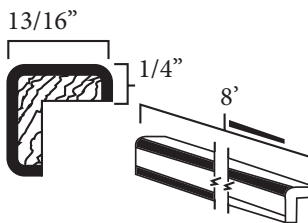
- Specifications**
- Sold in 8 ft long sections.



## Outside Corner Moulding

Outside Corner	
OCS8	8' WS   PS   HS   WP   ASP

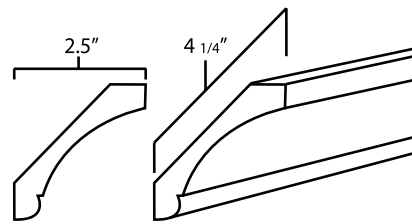
- Specifications**
- Sold in 8ft. long sections



## Large Cove Crown Moulding

Large Cove Crown	
LVC	8' WS   PS   HS   WG

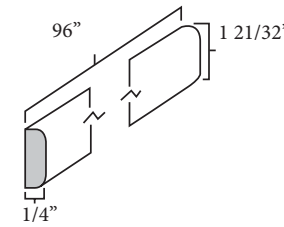
- Specifications**
- Sold in 8ft. long sections



## Batten Moulding

Batten Moulding	
BM8	8' WS   PS   HS   WP   ASP   WG

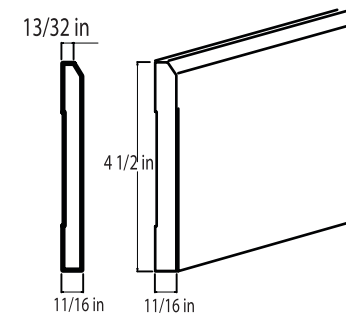
- Specifications**
- Sold in 8ft. long sections



## Decorative Base Moulding

Dec Base Moulding	
DEC004	8' WS   PS   HS   WP   ASP   WG

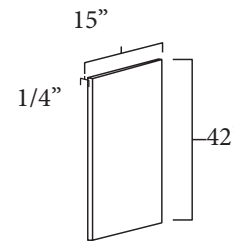
- Specifications**
- Sold in 8 ft long sections.
  - 4 1/2" inches tall.
  - 11/16 inch thick.



## Wall Skin

Wall Skin	
WS1542	15x42 WS   PS   HS   WP   ASP   WG

- Specifications**
- 1/4" thick.
  - Can be trimmed to desired height and/or width.



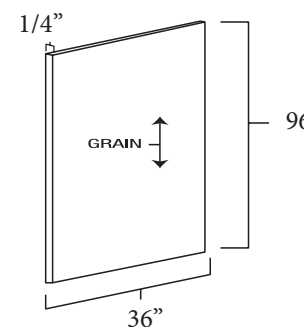
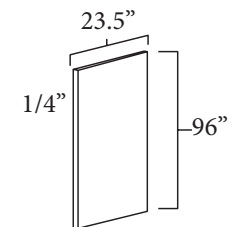
## Tall Skin

Tall Skin	
TS2496	23.5x96 HS   WG

## Stained Plywood

Stained Plywood	
SPW	36x96 WS   PS   HS   WP   ASP   WG

- Specifications**
- Sold in 8ft. long sections
  - 1/4" thick.



## Touch-Up Kit

Touch-Up Kits	
TUK	WS   PS   HS   WP   ASP   WG

- Specifications**
- One Wax Putty Stick
  - One Touch-Up Marker



## Display/Sample Doors

Display/Sample Doors	
DD	1 Door WS   PS   HS   WP   ASP   WG
KC-DDSET-7	7-Door Set WS   PS   HS   WP   ASP   WG



## Trash Can Pullout

Trash Can Pullouts	
RWC-TCK-DOUBLE	35QT
RWC-TCK-SINGLE	35QT

- Specifications**
- Double 35QT Frame with Slides & Trash Cans
  - Single 35QT Frame with Slides & Can
  - Generic items for all colors



Single Trash Can Kits Fit B15 Base Cabinets



Double Trash Can Kits Fit B18 & B21 Base Cabinets





**EVERVIEW**  
CABINETRY